

JET

JTS-600XL TABLE SAW

JTS-600XL...10000070XLM....230/50/1

JTS-600XL....10000070XLT....400/50/3

PARTS LIST ERSATZTEILLISTE LISTE DE PIECES

Walter Meier (Tool) AG

Tämperlistrasse 5
CH-8117 Fällanden
Switzerland

Phone +41 44 806 47 48

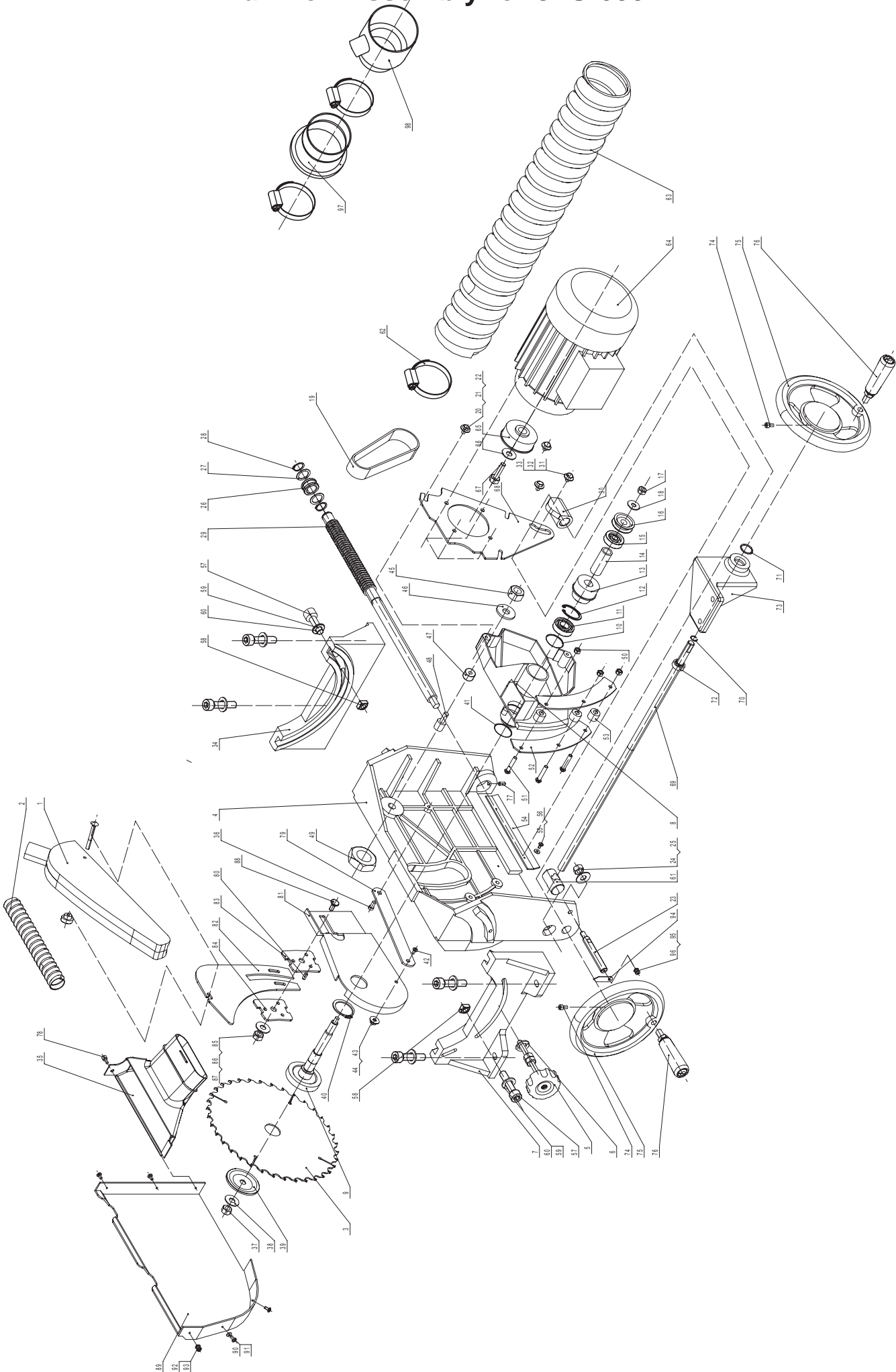
Fax +41 44 806 47 58

jetinfo.eu@waltermeier.com

www.jettools.com



Trunnion Assembly for JTS-600XL



Trunnion Assembly for JTS-600XL

| Index | Part No. | Description | Size | Qty. |
|-------|-------------|----------------------------------|----------------|------|
| 1 | JTS600-001 | Blade guard assy | | 1 |
| 2 | JTS600-002 | Dust collection tube(small) | | 1 |
| 3 | JTS600-003 | Blade | φ250x3xφ30-36T | 1 |
| 4 | JTS600-004 | Mount adjusting base | | 1 |
| 5 | JTS600-005 | Locking handle assy | | 1 |
| 6 | JTS600-006 | Washer | M8 | 1 |
| 7 | JTS600-007 | Rotating support base A | | 1 |
| 8 | JTS600-008 | Mount base | | 1 |
| 9 | JTS600-009 | Main shaft | | 1 |
| 10 | JTS600-010 | Adjusting washer | | 4 |
| 11 | JTS600-011 | Bearing | 80103C | 1 |
| 12 | JTS600-012 | Retaining ring | | 1 |
| 13 | JTS600-013 | Shaft pulley | | 1 |
| 14 | JTS600-014 | Tube | | 1 |
| 15 | JTS600-015 | Bearing | 80103C | 1 |
| 16 | JTS600-016 | Adjusting wheel | | 1 |
| 17 | JTS600-017 | Nut | M8 | 1 |
| 18 | JTS600-018 | Washer | M8 | 1 |
| 19 | JTS600-019 | Poly-belt | | 1 |
| 20 | JTS600-020 | Hex screw | M6X30 | 3 |
| 21 | JTS600-021 | Washer | M6 | 3 |
| 22 | JTS600-022 | Washer | M6 | 3 |
| 23 | JTS600-023 | Indicator rod | | 1 |
| 24 | JTS600-024 | Nut | M8 | 1 |
| 25 | JTS600-025 | Washer | M8 | 1 |
| 26 | JTS600-026 | Tube | | 1 |
| 27 | JTS600-027 | Washer | | 2 |
| 28 | JTS600-028 | Retaining ring | | 2 |
| 29 | JTS600-029 | Thread rod | | 1 |
| 30 | JTS600-030 | Thread tube | | 1 |
| 31 | JTS600-031 | Tube | | 1 |
| 32 | JTS600-032 | Washer | M8 | 1 |
| 33 | JTS600-033 | Position screw | | 1 |
| 34 | JTS600-034 | Rotating support base B | | 1 |
| 35 | JTS600-035 | Dust funnel | | 1 |
| | JTS600-035A | Funnel&hose clamp assly.(35, 62) | | 1 |
| 36 | JTS600-036 | Screw | | 1 |
| 37 | JTS600-037 | Right hand nut | M10X1.5 | 1 |
| 38 | JTS600-038 | Washer | M10 | 1 |
| 39 | JTS600-039 | Blade flange | | 1 |
| 40 | JTS600-040 | Retaining ring | | 1 |
| 41 | JTS600-041 | Washer | | 2 |
| 42 | JTS600-042 | Screw | M6X20 | 1 |
| 43 | JTS600-043 | Nut | M6 | 1 |
| 44 | JTS600-044 | Washer | M6 | 2 |
| 45 | JTS600-045 | Nut | M8 | 1 |
| 46 | JTS600-046 | Washer | M8 | 1 |
| 47 | JTS600-047 | Tube II | | 1 |
| 48 | JTS600-048 | Position screw | | 1 |
| 49 | JTS600-049 | Nut | M6 | 1 |
| 50 | JTS600-050 | Nut | M6 | 3 |
| 51 | JTS600-051 | Screw | M6X35 | 3 |
| 52 | JTS600-052 | Clamping plate | | 2 |
| 53 | JTS600-053 | Tube I | | 3 |
| 54 | JTS600-054 | Guard for thread rod | | 1 |
| 55 | JTS600-055 | Washer | M6 | 2 |

Trunnion Assembly for JTS-600XL

| Index | Part No. | Description | Size | Qty. |
|-------|---------------|-------------------------------|----------------|------|
| 56 | JTS600-056 | Pan head screw | M6X8 | 2 |
| 57 | JTS600-057 | Nut | M8X20 | 2 |
| 58 | JTS600-058 | Square Nut | | 2 |
| 59 | JTS600-059 | Washer | M8 | 2 |
| 60 | JTS600-060 | Internal washer | M8 | 2 |
| 61 | JTS600-061 | 45degree tilting rod | | 1 |
| 62 | JTS600-062 | Hose clamp | | 3 |
| 63 | JTS600-063 | Dust collection hose(big) | | 1 |
| 64 | JTS600-064E | Motor 230V/50Hz/1 | | 1 |
| | JTS600-064AE | Motor 400V/50Hz/3 | | 1 |
| | JTS600-064RCE | Running Capacitor (not shown) | (20uF/ 450VAC) | 1 |
| | JTS600-064-B | Motor Break replacement parts | (not shown) | 1 |
| 65 | JTS600-065 | Motor pulley | | 1 |
| 66 | JTS600-066 | Anti back washer | | 1 |
| 67 | JTS600-067 | Screw | | 1 |
| 68 | JTS600-068 | Motor mounting bracket | | 1 |
| 69 | JTS600-069 | Tilting thread rod | | 1 |
| 70 | JTS600-070 | Clamping ring | M12 | 1 |
| 71 | JTS600-071 | Clamping ring | M22 | 1 |
| 72 | JTS600-072 | Joint bearing | | 1 |
| 73 | JTS600-073 | Bracket for joint bearing | | 1 |
| 74 | JTS600-074 | Screw | M6X16 | 2 |
| 75 | JTS600-075 | Big handle wheel | | 2 |
| 76 | JTS600-076 | Handle | | 2 |
| 77 | JTS600-077 | Screw | M6X10 | 1 |
| 78 | JTS600-078 | Screw | | 1 |
| 79 | JTS600-079 | Connecting plate | | 1 |
| 80 | JTS600-080 | Hex socket screw | M6x10 | 3 |
| 81 | JTS600-081 | Bracket for riving knife | | 1 |
| 82 | JTS600-082 | Riving knife | | 1 |
| 83 | JTS600-083 | Guide plate | | 1 |
| 84 | JTS600-084 | Press plate | | 1 |
| 85 | JTS600-085 | Washer | M10 | 1 |
| 86 | JTS600-086 | Nut | M10 | 1 |
| 87 | JTS600-087 | Spring washer | M10 | 1 |
| 88 | JTS600-088 | Screw | M10X25 | 1 |
| 89 | JTS600-089 | Inside blade guard | | 1 |
| 90 | JTS600-090 | Screw | M4X10 | 3 |
| 91 | JTS600-091 | Washer | M5 | 5 |
| 92 | JTS600-092 | Screw | M4X20 | 2 |
| 93 | JTS600-093 | Self lock nut | M4 | 2 |
| 94 | JTS600-094 | Angle indicator | | 1 |
| 95 | JTS600-095 | Washer | M4 | 1 |
| 96 | JTS600-096 | Screw | M4X8 | 1 |
| 97 | JTS600-097 | Cabinet adapter | | 1 |
| 98 | JTS600-098 | Hose adapter (Y-piece) | | 1 |

Table and Frame Assembly for JTS-600XL

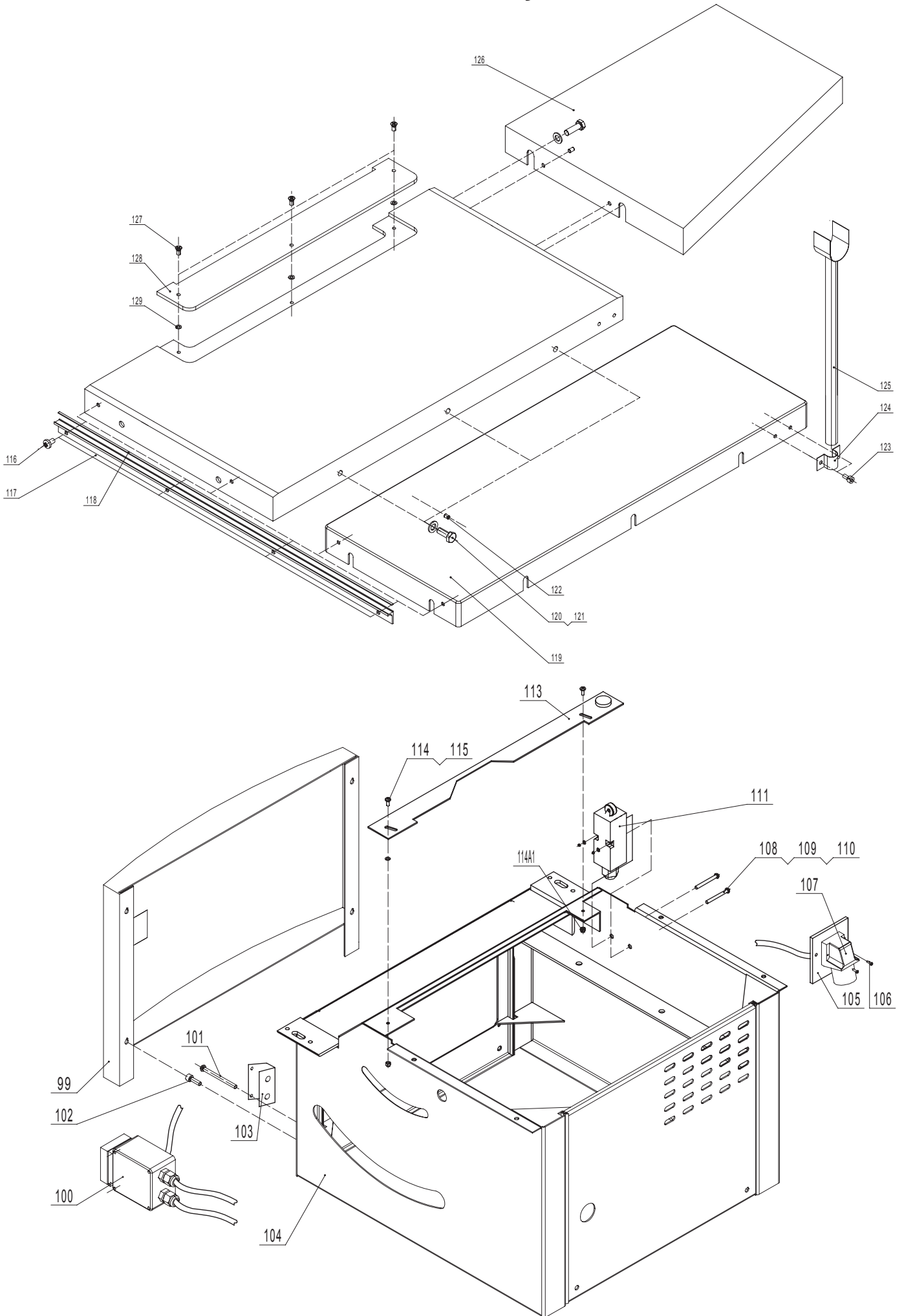
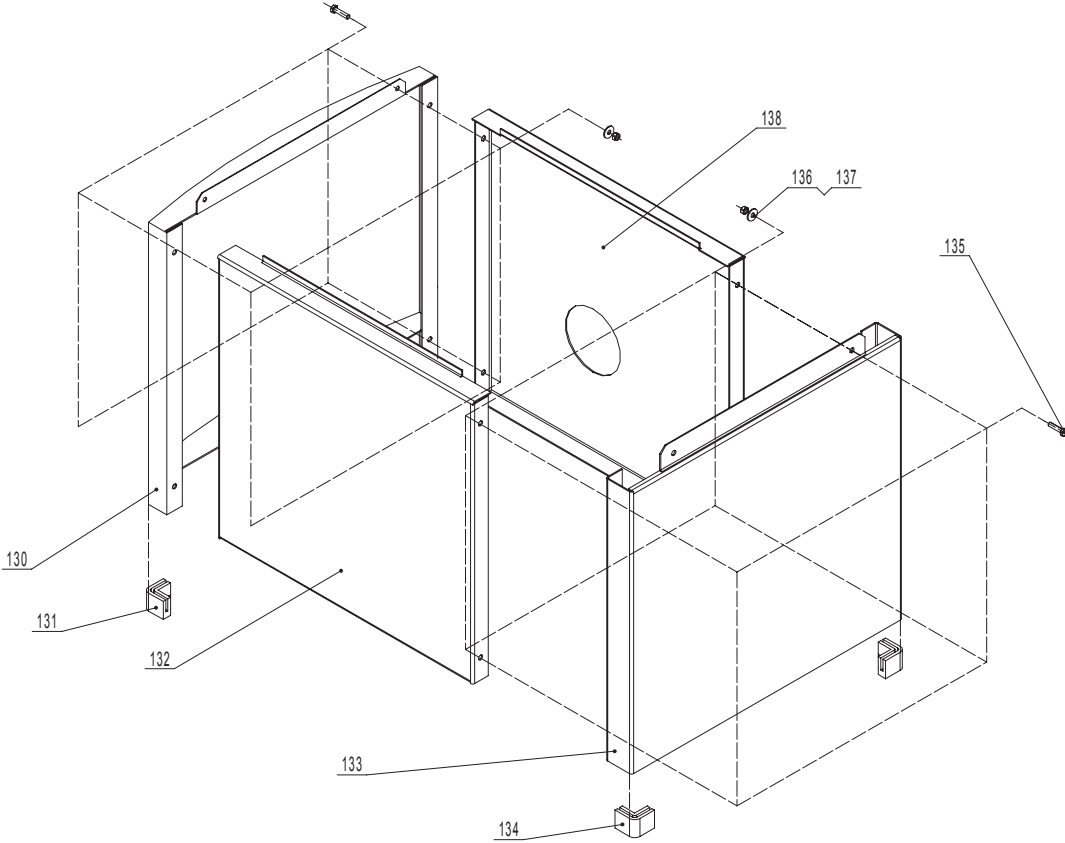
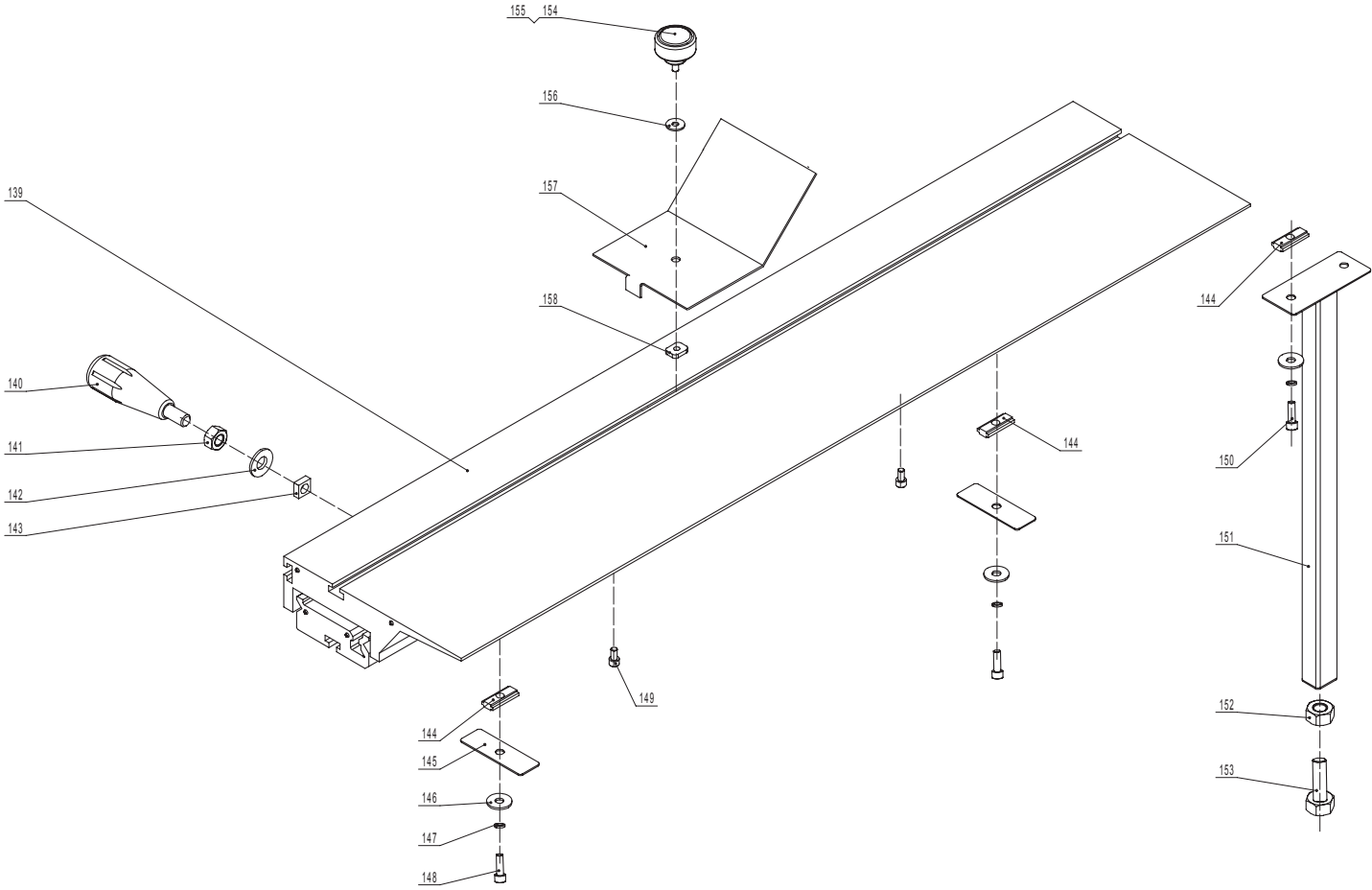


Table and Frame Assembly for JTS-600XL

| Index | Part No. | Description | Size | Qty. |
|-------|----------------|-----------------------------|-------|------|
| 99 | JTS600XL-099 | Upper acr panel | | 1 |
| 100 | JTS600XL-100E | Switch Assembly 230V/50Hz/1 | | 1 |
| | JTS600XL-100AE | Switch Assembly 400V/50Hz/3 | | 1 |
| 101 | JTS600XL-101 | Screw | M4X60 | 2 |
| 102 | JTS600XL-102 | Screw | M6X16 | 3 |
| 103 | JTS600XL-103 | Switch Plate | | 1 |
| 104 | JTS600XL-104 | Upper frame ASSY | | 1 |
| 105 | JTS600XL-105 | Plug Connection plate | | 1 |
| 106 | JTS600XL-106 | Screw | M4X15 | 4 |
| 107 | JTS600XL-107E | Plug 230V/50Hz/1 | | 1 |
| | JTS600XL-107AE | Plug 400V/50Hz/3 | | 1 |
| 108 | JTS600XL-108 | Pan head screw | M4X30 | 2 |
| 109 | JTS600XL-109 | Washer | M4 | 2 |
| 110 | JTS600XL-110 | Nut | | 2 |
| 111 | JTS600XL-111 | Micro switch | | 1 |
| 113 | JTS600XL-113 | Guard | | 1 |
| 114 | JTS600XL-114 | Screw | M5X8 | 3 |
| 114A1 | JTS600XL-114A1 | Nylon nut | | 2 |
| 115 | JTS600XL-115 | Split damping ring | | 3 |
| 116 | JTS600XL-116 | Pan head screw | M6X16 | 2 |
| 117 | JTS600XL-117 | Scale bracket | | 1 |
| 118 | JTS600XL-118 | Scale | | 1 |
| 119 | JTS600XL-119 | Right extension Table | | 1 |
| 120 | JTS600XL-120 | Hex Bolt | M8X20 | 6 |
| 121 | JTS600XL-121 | Washer | M8 | 6 |
| 122 | JTS600XL-122 | Screw | M8X10 | 6 |
| 123 | JTS600XL-123 | Screw | M6X16 | 2 |
| 124 | JTS600XL-124 | Semicircular bracket | | 1 |
| 125 | JTS600XL-125 | Support bracket | | 1 |
| 126 | JTS600XL-126 | Rear extension table | | 1 |
| 127 | JTS600XL-127 | Screw | M5X8 | 3 |
| 128 | JTS600XL-128 | Table insert | | 1 |
| 129 | JTS600XL-129 | Split damping ring | | 3 |

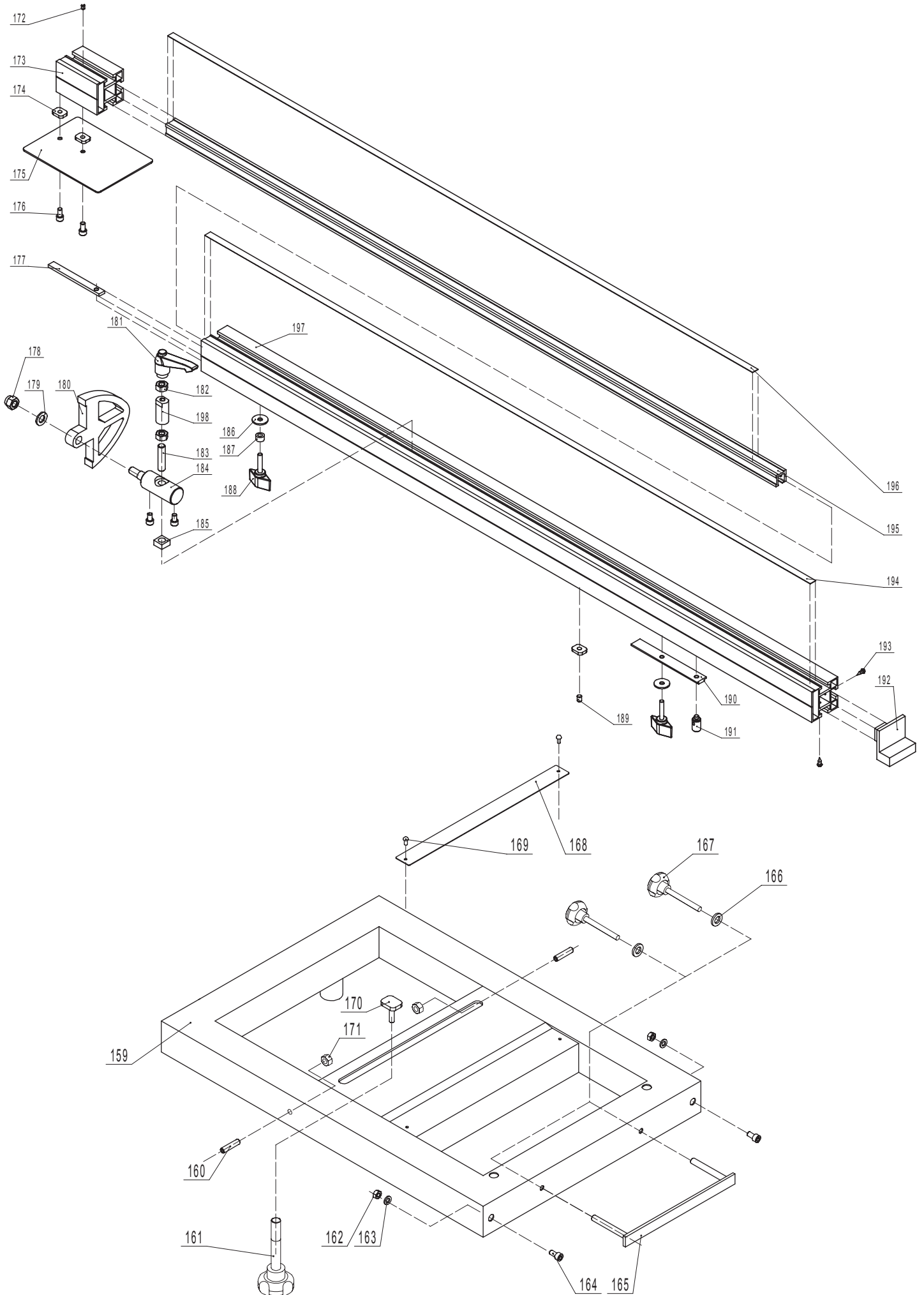
Sliding Table and Cabinet Assembly for JTS-600XL



Sliding Table and Cabinet Assembly for JTS-600XL

| Index | Part No. | Description | Size | Qty. |
|-------|--------------|---------------------|--------|------|
| 130 | JTS600XL-130 | Lower arc panel | | 1 |
| 131 | JTS600XL-131 | Foot for arc panel | | 2 |
| 132 | JTS600XL-132 | Base rear panel | | 1 |
| 133 | JTS600XL-133 | Base side panel | | 1 |
| 134 | JTS600XL-134 | Foot for side panel | | 2 |
| 135 | JTS600XL-135 | Hex screw | M6X15 | 8 |
| 136 | JTS600XL-136 | Nut | M6 | 8 |
| 137 | JTS600XL-137 | Washer | | 8 |
| 138 | JTS600XL-138 | Base rear panel | | 1 |
| 139 | JTS600XL-139 | Sliding table ASSY | | 1 |
| 140 | JTS600XL-140 | Star locking handle | | 1 |
| 141 | JTS600XL-141 | Hex nut | M10 | 1 |
| 142 | JTS600XL-142 | Washer | | 1 |
| 143 | JTS600XL-143 | Square nut | | 1 |
| 144 | JTS600XL-144 | Sliding block | | 6 |
| 145 | JTS600XL-145 | Shim plate | | 2 |
| 146 | JTS600XL-146 | Washer | | 6 |
| 147 | JTS600XL-147 | Spring washer | | 6 |
| 148 | JTS600XL-148 | Hex socket screw | M8X25 | 2 |
| 149 | JTS600XL-149 | Hex socket screw | M6X10 | 2 |
| 150 | JTS600XL-150 | Hex socket screw | M8X16 | 4 |
| 151 | JTS600XL-151 | Support pin | | 2 |
| 152 | JTS600XL-152 | Hex nut | M16 | 2 |
| 153 | JTS600XL-153 | Hexagonal head bolt | M16X55 | 2 |
| 154 | JTS600XL-154 | Damper Knob ASSY | | 1 |
| 155 | JTS600XL-155 | Hex Bolt | M6X20 | 1 |
| 156 | JTS600XL-156 | Washer | | 1 |
| 157 | JTS600XL-157 | Push plate | | 1 |
| 158 | JTS600XL-158 | Square nut | | 1 |

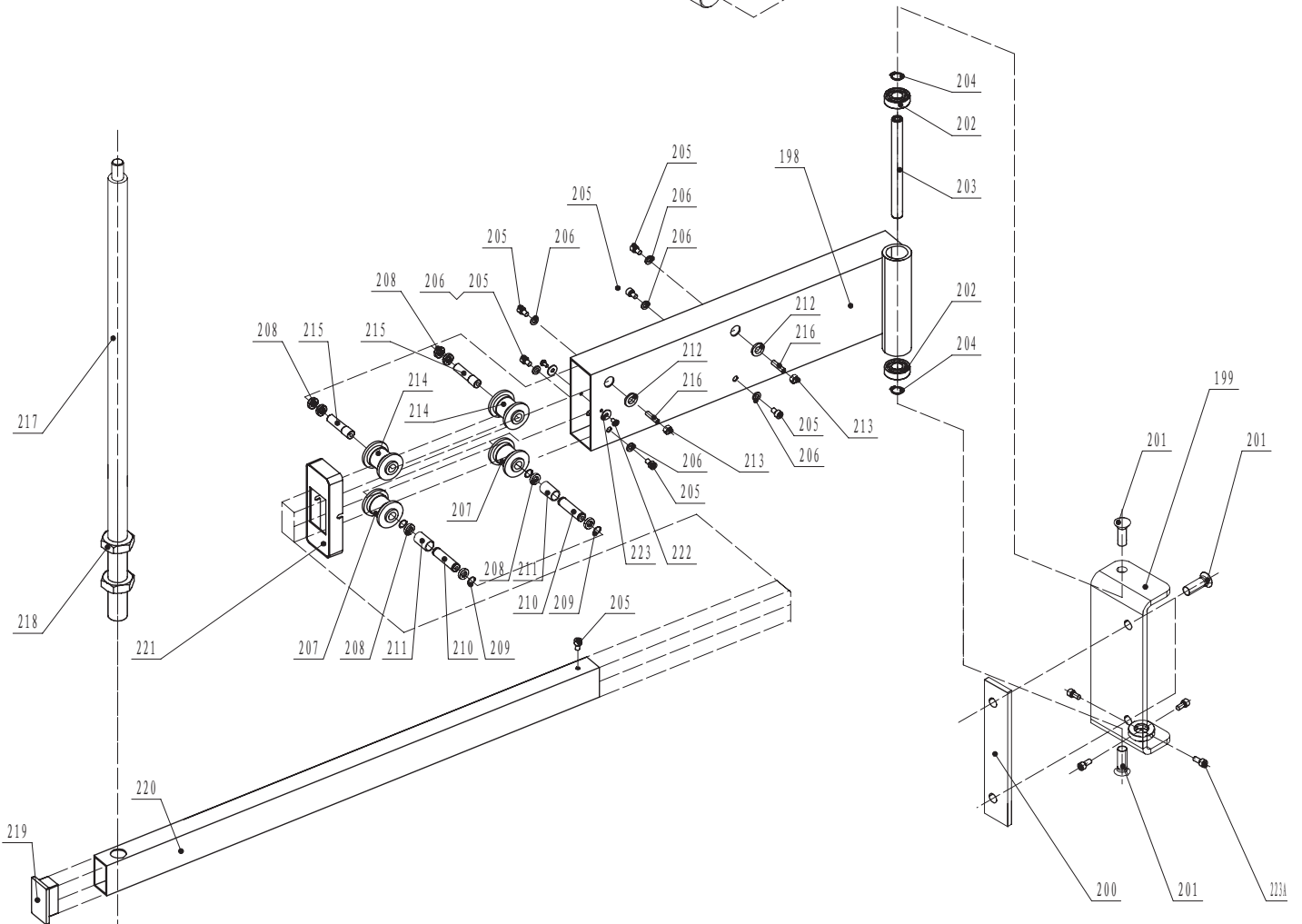
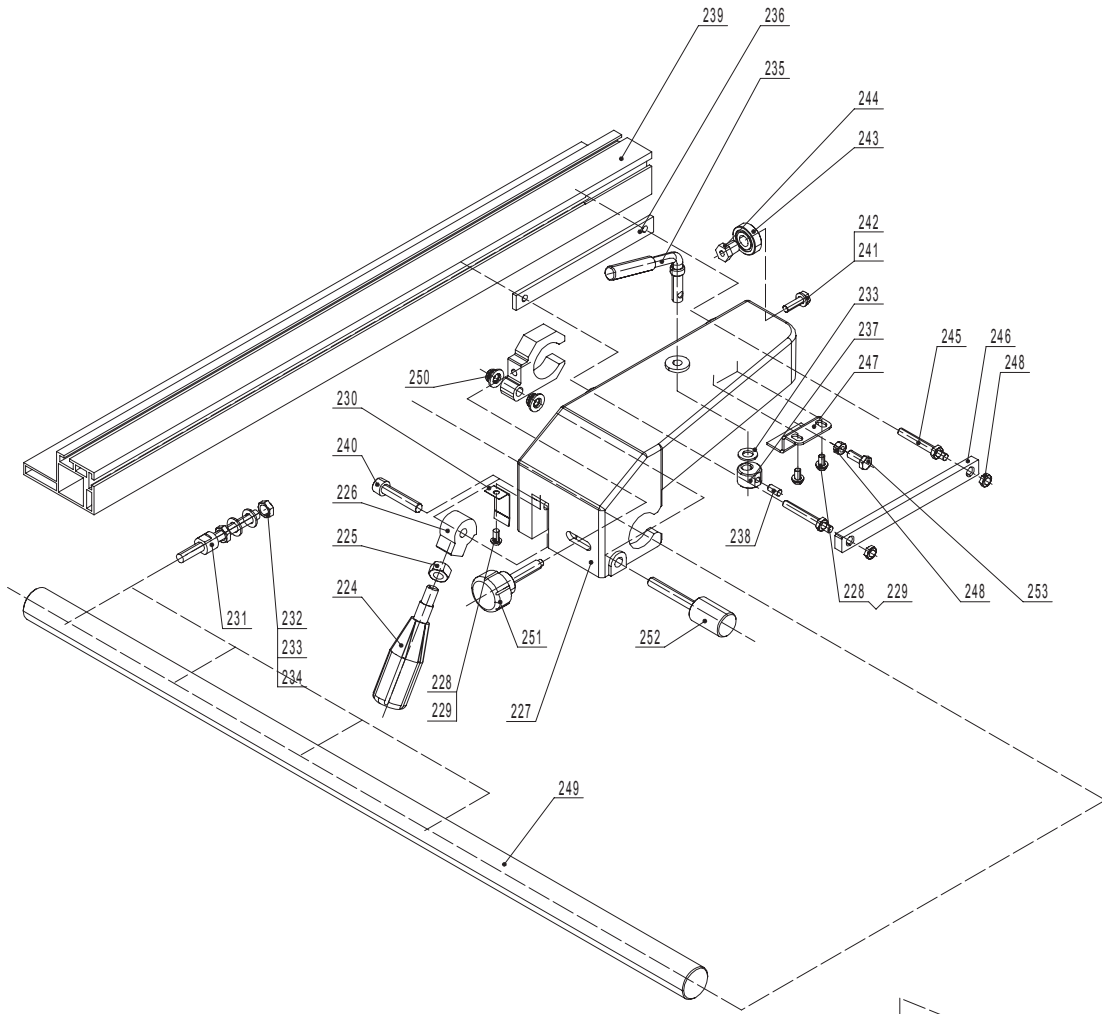
Outrigger Table and Pull-out Miter Gauge Assembly for JTS-600XL



Outrigger Table and Pull-out Miter Gauge Assembly for JTS-600XL

| Index | Part No. | Description | Size | Qty. |
|-------|--------------|-----------------------------------|-------|------|
| 159 | JTS600XL-159 | Ext.sliding table ASSY | | 1 |
| 160 | JTS600XL-160 | Hex socket screw | M8X40 | 2 |
| 161 | JTS600XL-161 | Handle ASSY | | 1 |
| 162 | JTS600XL-162 | Nut | M8 | 2 |
| 163 | JTS600XL-163 | Washer | | 2 |
| 164 | JTS600XL-164 | Location screw | | 2 |
| 165 | JTS600XL-165 | Clamping plate | | 1 |
| 166 | JTS600XL-166 | Washer | | 2 |
| 167 | JTS600XL-167 | Handle star knob | | 2 |
| 168 | JTS600XL-168 | Angle ruler | | 1 |
| 169 | JTS600XL-169 | Revit | | 2 |
| 170 | JTS600XL-170 | Locking block | | 1 |
| 171 | JTS600XL-171 | Nut | M8 | 2 |
| 172 | JTS600XL-172 | Hex socket screw | M5X6 | 1 |
| 173 | JTS600XL-173 | Ext. bracket for lengthened | | 1 |
| 174 | JTS600XL-174 | Square nut | | 4 |
| 175 | JTS600XL-175 | Location plate | | 1 |
| 176 | JTS600XL-176 | Hex socket screw | M6X12 | 4 |
| 177 | JTS600XL-177 | Fixing plate | | 1 |
| 178 | JTS600XL-178 | Hex Series Nuts | M10 | 1 |
| 179 | JTS600XL-179 | Washer | | 1 |
| 180 | JTS600XL-180 | Baffle plate | | 1 |
| 181 | JTS600XL-181 | Adjust handle | | 1 |
| 182 | JTS600XL-182 | Nut | M8 | 2 |
| 183 | JTS600XL-183 | Hex socket screw | M8X50 | 1 |
| 184 | JTS600XL-184 | Pivot | | 1 |
| 185 | JTS600XL-185 | Square nut | | 1 |
| 186 | JTS600XL-186 | Washer | | 2 |
| 187 | JTS600XL-187 | Washer | | 1 |
| 188 | JTS600XL-188 | Knob | | 3 |
| 189 | JTS600XL-189 | Hex socket screw | M6X10 | 1 |
| 190 | JTS600XL-190 | Long plate | | 1 |
| 191 | JTS600XL-191 | Pivot | | 1 |
| 192 | JTS600XL-192 | Fence cover | | 1 |
| 193 | JTS600XL-193 | Self tapping screw | | 2 |
| 194 | JTS600XL-194 | Ruller I | | 1 |
| 195 | JTS600XL-195 | Main bracket for lengthened ruler | | 1 |
| 196 | JTS600XL-196 | Ruller III | | 1 |
| 197 | JTS600XL-197 | Fence | | 1 |

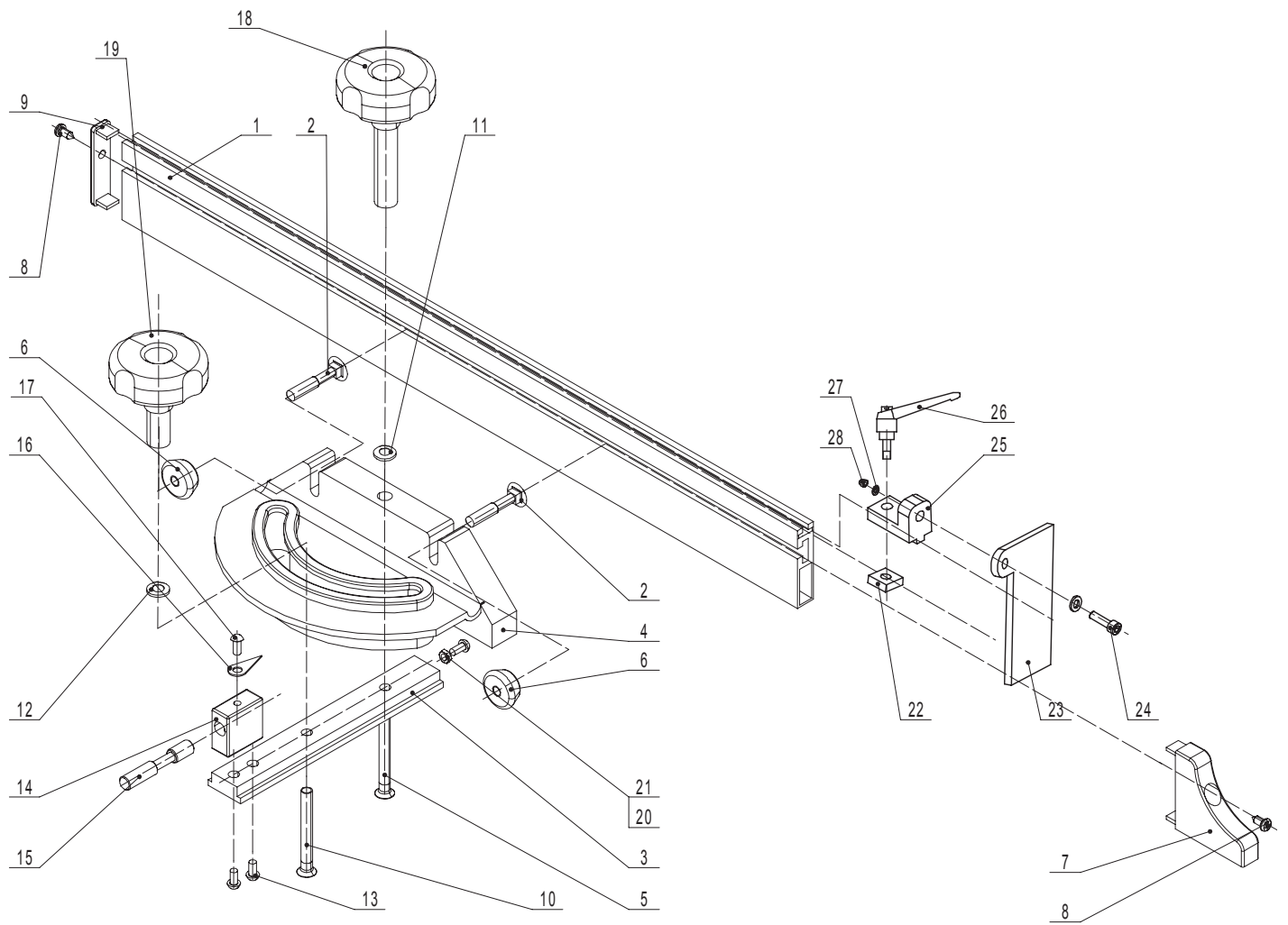
Rip Fence and Swing Arm Assembly for JTS-600XL



Rip Fence and Swing Arm Assembly for JTS-600XL

| Index | Part No. | Description | Size | Qty. |
|-------|--------------|---------------------------------|------------|------|
| 198 | JTS600-198 | Support for telescopic tube | | 1 |
| 199 | JTS600-199 | Fixing bracket | | 1 |
| 200 | JTS600-200 | Connection plate | | 1 |
| 201 | JTS600-201 | Hex socket screw | M10X25 | 4 |
| 202 | JTS600-202 | Bearing | 6202GB278 | 2 |
| 203 | JTS600-203 | Shaft | | 1 |
| 204 | JTS600-204 | Clip ring | M15 | 2 |
| 205 | JTS600-205 | Screw | M6X10 | 7 |
| 206 | JTS600-206 | Washer | M6 | 6 |
| 207 | JTS600-207 | Lower wheel | | 2 |
| 208 | JTS600-208 | Bearing | 61801GB276 | 8 |
| 209 | JTS600-209 | Clip ring | M12 | 4 |
| 210 | JTS600-210 | Shaft | | 2 |
| 211 | JTS600-211 | Tube | | 2 |
| 212 | JTS600-212 | Outside baffle | | 2 |
| 213 | JTS600-213 | Nut | M6 | 2 |
| 214 | JTS600-214 | Upper wheel | | 2 |
| 215 | JTS600-215 | Eccentric shaft | | 2 |
| 216 | JTS600-216 | Hex socket screw | M6X25 | 2 |
| 217 | JTS600-217 | Support rod | | 1 |
| 218 | JTS600-218 | Nut | M20 | 2 |
| 219 | JTS600-219 | Tube cap | | 2 |
| 220 | JTS600-220 | Telescopic tube | | 1 |
| 221 | JTS600-221 | End cover | | 1 |
| 222 | JTS600-222 | Screw | M4X8 | 2 |
| 223 | JTS600-223 | Washer | M5 | 2 |
| 223A1 | JTS600-223A1 | Hex socket screw | | 4 |
| 224 | JTS600-224 | Locking handle | | 1 |
| 225 | JTS600-225 | Nut | M10 | 1 |
| 226 | JTS600-226 | Cam | | 1 |
| | JTS600-226A | Cam & handle assembly(224, 225, | | 1 |
| 227 | JTS600-227 | Rip fence bracket | | 1 |
| 228 | JTS600-228 | Screw | M5X8 | 3 |
| 229 | JTS600-229 | Washer | M5X8 | 3 |
| 230 | JTS600-230 | Clip spring | | 1 |
| 231 | JTS600-231 | Stud | | 4 |
| 232 | JTS600-232 | Nut | M8 | 4 |
| 233 | JTS600-233 | Washer | M8 | 9 |
| 234 | JTS600-234 | Nut | M8 | 4 |
| 235 | JTS600-235 | Handle | | 1 |
| 236 | JTS600-236 | Locking plate I | | 1 |
| 237 | JTS600-237 | Locking cam wheel | | 1 |
| 238 | JTS600-238 | Hex socket srcew | M8X18 | 1 |
| 239 | JTS600-239 | L-shape rip fence | | 1 |
| 240 | JTS600-240 | Hex socket srcew | M8X40 | 1 |
| 241 | JTS600-241 | Hex screw | M6X20 | 1 |
| 242 | JTS600-242 | Washer | M6 | 1 |
| 243 | JTS600-243 | Bearing | 6000GB276 | 1 |
| 244 | JTS600-244 | Bearing bracket | | 1 |
| 245 | JTS600-245 | Locking screw | | 2 |
| 246 | JTS600-246 | Locking plate II | | 1 |
| 247 | JTS600-247 | Support plate | | 1 |
| 248 | JTS600-248 | Hex nut | M6 | 5 |
| 249 | JTS600-249 | Fence bracket rail | | 1 |
| 250 | JTS600-250 | Self locking nut | M8 | 2 |
| 251 | JTS600-251 | Star locking handle | | 1 |
| 252 | JTS600-252 | Micro adjust handle | | 1 |
| 253 | JTS600-253 | Hex screw | M6X16 | 1 |
| | JTS600-253E | Clamping bracket | | 1 |

Miter Gauge Assembly for JTS-600XL



Miter Gauge Assembly for JTS-600XL

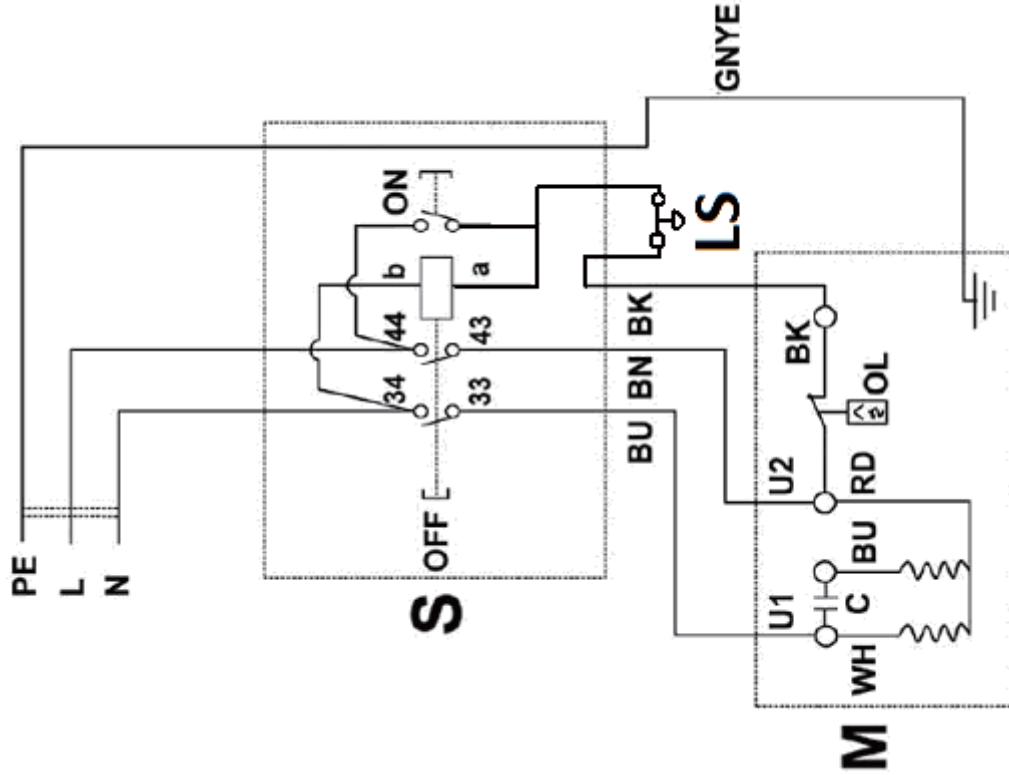
| Index | Part No. | Description | Size | Qty. |
|-------|---------------|---------------------------|-------|------|
| MG1 | JTS600XL-MG1 | Miter fence profil | | 1 |
| MG2 | JTS600XL-MG2 | Carriage bolt | M6X30 | 2 |
| MG3 | JTS600XL-MG3 | T-Bar | | 1 |
| MG4 | JTS600XL-MG4 | Mitre gauge | | 1 |
| MG5 | JTS600XL-MG5 | Pan head screw | M6X70 | 1 |
| MG6 | JTS600XL-MG6 | Knurled nut | | 2 |
| MG7 | JTS600XL-MG7 | Right cover for fip fence | | 1 |
| MG8 | JTS600XL-MG8 | Self tapping screw | | 2 |
| MG9 | JTS600XL-MG9 | Left cover for fip fence | | 1 |
| MG10 | JTS600XL-MG10 | Pan head screw | M6X50 | 1 |
| MG11 | JTS600XL-MG11 | Washer | M6 | 1 |
| MG12 | JTS600XL-MG12 | Washer | M6 | 2 |
| MG13 | JTS600XL-MG13 | Screw | M4X12 | 2 |
| MG14 | JTS600XL-MG14 | Indicator bracket | | 1 |
| MG15 | JTS600XL-MG15 | Location pin | | 1 |
| MG16 | JTS600XL-MG16 | Indicator | | 1 |
| MG17 | JTS600XL-MG17 | Screw | M4X8 | 1 |
| MG18 | JTS600XL-MG18 | Handle | | 1 |
| MG19 | JTS600XL-MG19 | Handle | | 1 |
| MG20 | JTS600XL-MG20 | Nut | M4 | 3 |
| MG21 | JTS600XL-MG21 | Screw | M4X16 | 3 |
| MG22 | JTS600XL-MG22 | Square nut | | 1 |
| MG23 | JTS600XL-MG23 | Stopper | | 1 |
| MG24 | JTS600XL-MG24 | Set screw | M6x20 | 1 |
| MG25 | JTS600XL-MG25 | Stoper bracket | | 1 |
| MG26 | JTS600XL-MG26 | Locking handle | | 1 |
| MG27 | JTS600XL-MG27 | Washer | | 1 |
| MG28 | JTS600XL-MG28 | Nylon nut | M6 | 1 |

JTS-600XL
10000070XLM

~230V, 50Hz

| colour of strands | Litzenfarben | couleur des cordons |
|-------------------|--------------|---------------------|
| BK | schwarz | noir |
| WH | weiß | blanc |
| BU | blau | bleu |
| YE | gelb | jaune |
| RD | rot | rouge |
| BN | braun | brun |
| GY | grau | gris |
| GNYE | grün-gelb | vert-jaune |
| OG | orange | orange |
| VT | violett | violet |

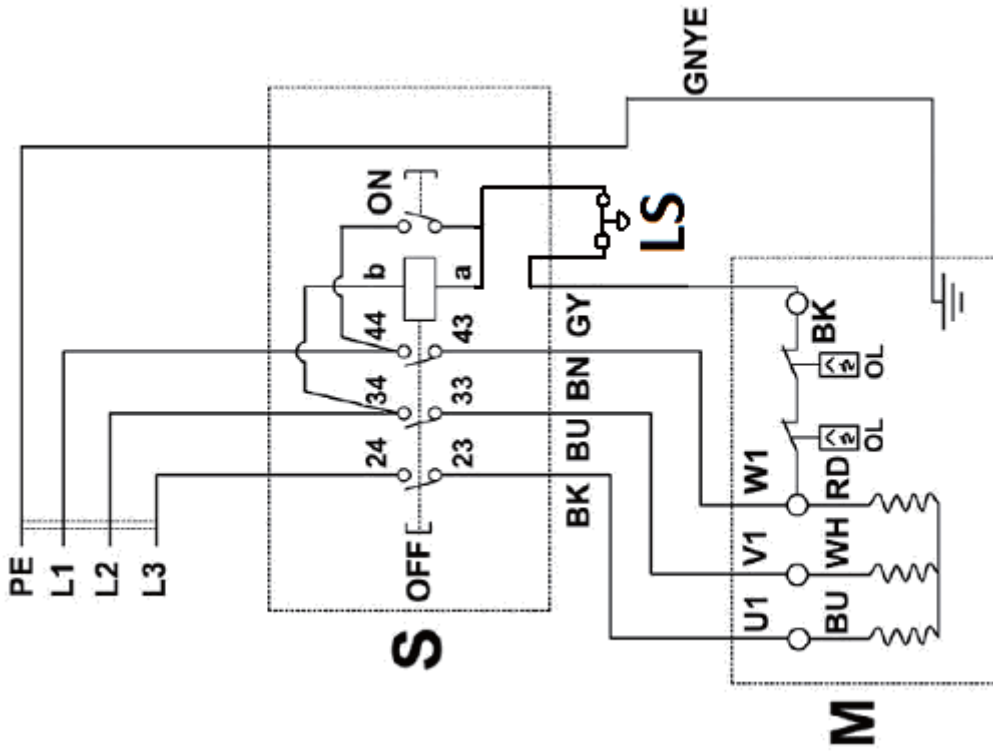
| meaning of symbol | Bedeutung der Zeichen | interprétation |
|-------------------|------------------------|-----------------------|
| M | Motor | moteur |
| S | Schalter | interrupteur |
| C | Kondensator | condensateur |
| OL | Überlastschuttschalter | déclencheur surcharge |
| LS | Positionsschalter | micro |



JTS-600XL

10000070XLT

3~400V, 50Hz



| colour of strands | Litzenfarben | couleur des cordons |
|-------------------|--------------|---------------------|
| BK | schwarz | noir |
| WH | weiß | blanc |
| BU | blau | bleu |
| YE | gelb | jaune |
| RD | rot | rouge |
| BN | braun | brun |
| GY | grau | gris |
| GNYE | grün-gelb | vert-jaune |
| OG | orange | orange |
| VT | violett | violet |

| meaning of symbol | Bedeutung der Zeichen | interprétation |
|-------------------|------------------------|-----------------------|
| M | Motor | moteur |
| S | Schalter | interrupteur |
| C | Kondensator | condensateur |
| OL | Überlastschutzschalter | déclencheur surcharge |
| LS | Positionsschalter | micro |