

# JET

**DC-1100A**  
**DC-1100CK**

**Dust Collector**

**DC-1100A.....708639M ....1~230V, 50Hz**  
**DC-1100A-3.....708639T .... 3~400V, 50Hz**

**DC-1100CK.....708626CKM ....1~230V, 50Hz**  
**DC-1100CK-3.....708626CKT .... 3~400V, 50Hz**

## PARTS LIST

**JPW (Tool) AG**  
Tämperlistr. 5  
CH-8117 Fällanden  
Switzerland  
Phone +41 44 806 47 48  
Fax +41 44 806 47 58

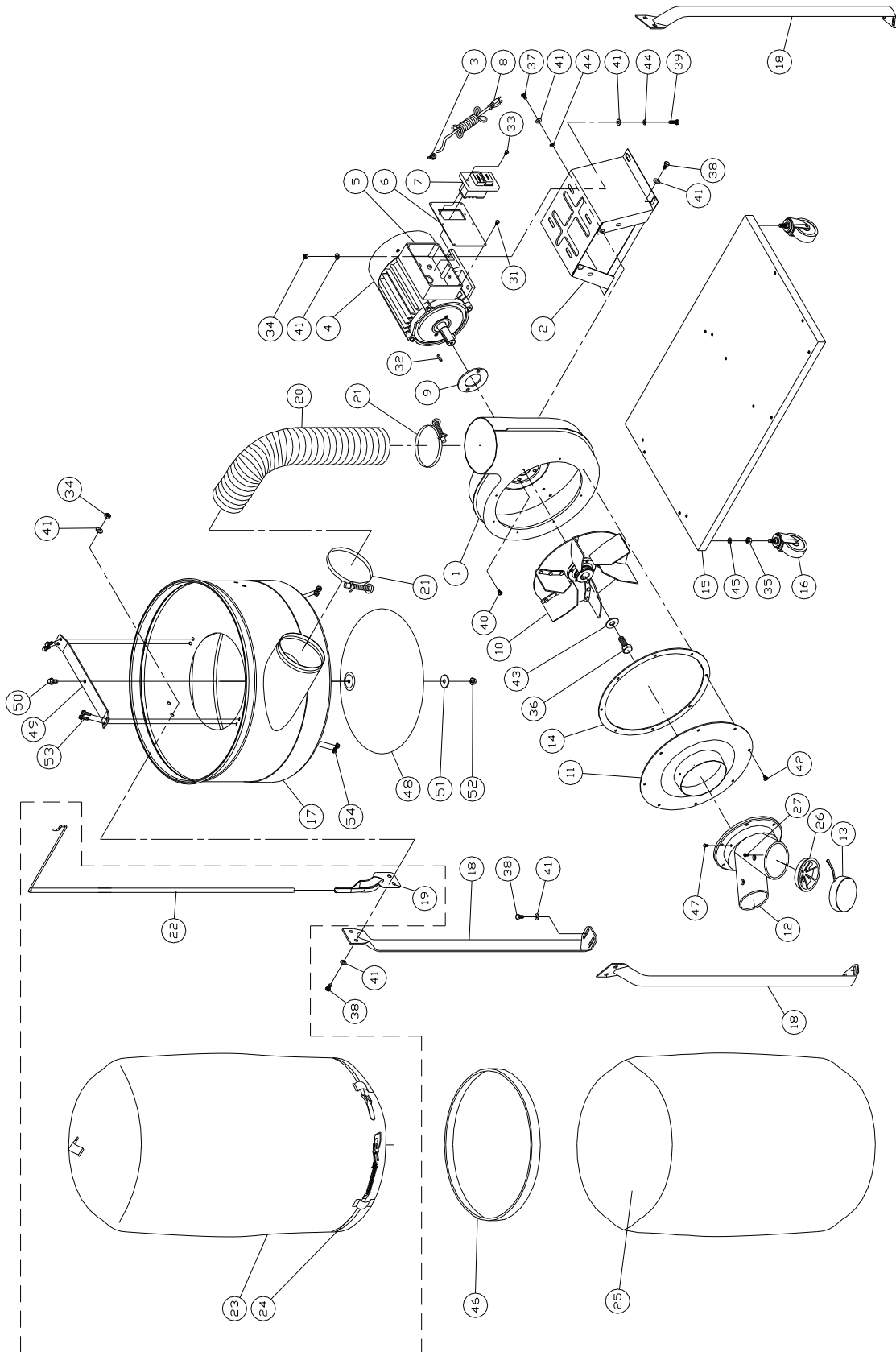
[www.jettools.com](http://www.jettools.com)

P-708639M/T, 708626CKM/CKT

2014-02



# Parts Breakdown for DC-1100A / DC-1100CK Dust Collector



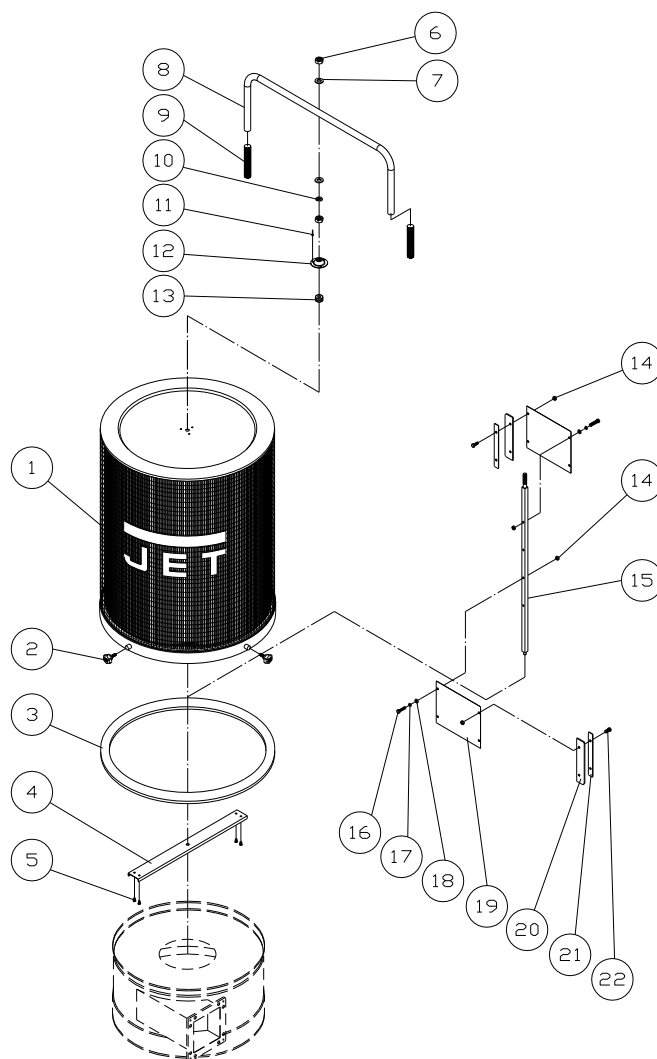
## Parts List for DC-1100A / DC-1100CK Dust Collector

Index No.	Part No.	Description	Size	Qty.
1	411035W	Impeller Housing		1
2	411026W	Motor Bracket		1
3	709409	Strain Relief		1
4	DC1100-31E	Motor	230V,1Ph	1
	DC1100-31AE	Motor	400V,3Ph	1
	DC1100-50W	Motor Fan Cover (not shown)		1
	DC1100-51	Motor Fan (not shown)		1
	CA30300	Running Capacitor (not shown)	30 $\mu$ F, 300V	1
	CA200250	Starting Capacitor (not shown)	200MFD, 250VAC	1
	DC1100-52CE	Centrifugal Switch (not shown)		1
	DC1100-53CE	Centrifugal Switch Rotor (not shown)		1
5	411051	Switch Box		1
6	411053	Switch Plate		1
7	994542U	Switch	230,1Ph	1
	994542U-3	Switch	400,3Ph	1
8	IC420001	Power Cord	1.0mm <sup>2</sup> x 3C	1
	DC-1100-008AE	Power Cord	1.0mm <sup>2</sup> x 4C	1
9	420051	Motor Packing		1
10	AB411059	Impeller	12"	1
11	411036W	Inlet Guard		1
12	427029	Inlet Port	4"x2	1
13	420203	Inlet Cap		1
14	430034	Inlet Flange Packing		1
15	411041W	Base		1
16	402036	Pivoting Caster		4
17	420012W	Housing		1
18	402004W	Support		3
19	523011W	Hanger Bracket		1
20	HS530007	Hose		1
21	420010	Ring Clamp	5"	2
22	430038	Hanger		1
23	708698	Filter Bag		1
24	AB410012	Retainer Strap		1
25	709563	Plastic Bag (Package of 5)		1
26	420937	Inlet Guard		2
27	ST030204	Tapping Screw	M3.5x10	4
31	ST039304	Tapping Screw	M3.5x12	6
32	KS050525	Key	5x5x25	1
33	ST059304	Tapping Screw	M5x12	2
34	TS-1540061	Hex Nut	M8	10
35	TS-0561031	Hex Nut	3/8"-16UNC	4
36	TS-1490031	Hex Head Bolt	M8x20	1
37	TS-1490011	Hex Head Bolt	M8x12	4
38	TS-1490021	Hex Head Bolt	M8x16	16
39	TS-1490041	Hex Head Bolt	M8x25	4
40	TS-1554041	Pan Head Screw	M6x12	2
41	TS-0680031	Flat Washer	M8	34
42	TS-1554041	Pan Head Screw	M6x12	8
43	TS-0680031	Flat Washer	M8	1
44	TS-0720081	Lock Washer	M8	8
45	TS-1551071	Lock Washer	M10	4
46	331038	Snap Ring		1
47	TS-1533032	Pan Head Screw	M5x10	1

<b>Index No.</b>	<b>Part No.</b>	<b>Description</b>	<b>Size</b>	<b>Qty.</b>
.....	DC1100-CA .....	Cone Assembly (index # 48 thru 54) .....	.....	1
48 .....	DC1100-47 .....	Cone .....	.....	1
49 .....	DC1100-47-1 .....	Support Bracket .....	.....	1
50 .....	TS-1490021 .....	Hex Cap Screw.....	M8x16.....	1
51 .....	TS-1550061 .....	Flat Washer .....	M8.....	1
52 .....	TS-1540061 .....	Hex Nut.....	M8.....	1
53 .....	TS-1482021 .....	Hex Cap Screw.....	M6x12.....	4
54 .....	TS-2311061 .....	Hex Nut.....	M6.....	4
.....	DC1100-HP .....	Hardware Package for Base Unit .....	.....	1
.....	DC1100-HP2 .....	Hardware Package for Cone Assembly .	.....	1

### Filter Assembly for DC-1100CK Models

Index No.	Part No.	Description	Size	Qty.
1	708739	Filter Assembly (# 1 ~ 22)		1
2	331037	Knob	M6x20	4
3	331031	Pad		1
4	331009	Support		1
5	ST049200	Tapping Screw	M4x8	4
6	TS-1540071	Hex Nut	M10	2
7	TS-1550071	Flat Washer	M10	2
8	331050	Handle		1
9	331051	Soft Grip Handle		2
10	TS-2361101	Lock Washer	M10	1
11	BR000052	Rivet	5-2	3
12	331014	Bracket		1
13	150623	Pad		1
14	TS-1540041	Hex Nut	M6	8
15	331052	Shaft		1
16	TS-1482041	Hex Cap Screw	M6x20	4
17	TS-2361061	Lock Washer	M6	4
18	TS-1550041	Flat Washer	M6	4
19	331012	Scraper		2
20	331017	Strip		2
21	331015	Press Plate		2
22	TS-1482021	Hex Cap Screw	M6x12	4



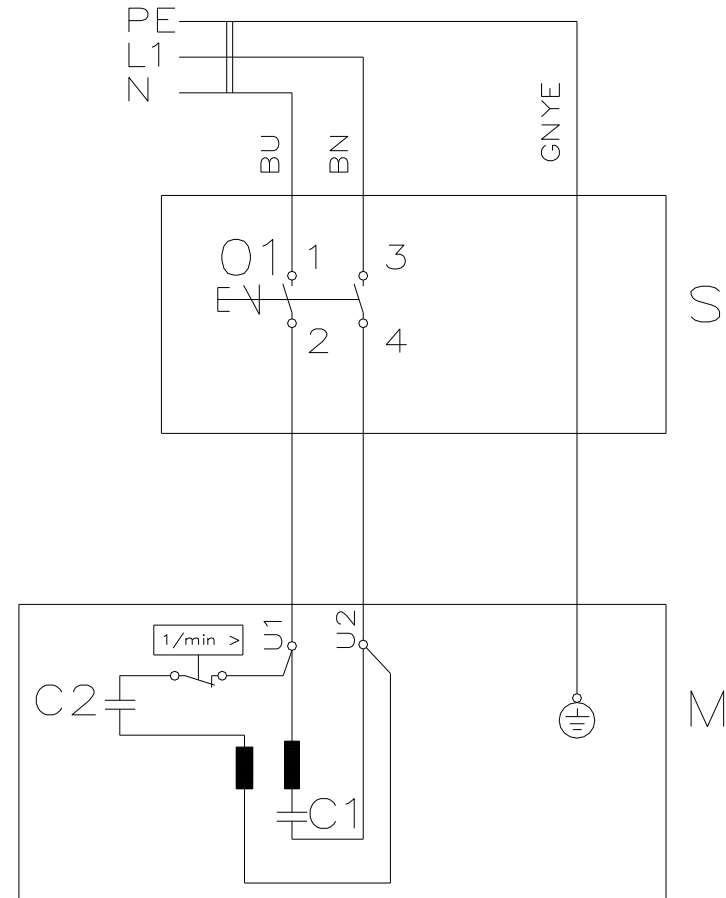
DC-1100A.....708639M ....1~230V, 50Hz

DC-1100CK.....708626CKM ....1~230V, 50Hz

230V/1~

	colour of strands	Litzenfarben	couleur des cordons
BK	black	schwarz	noir
WH	white	weiß	blanc
BU	blue	blau	bleu
YE	yellow	gelb	jaune
RD	red	rot	rouge
BN	brown	braun	brun
GY	grey	grau	gris
GNYE	green-yellow	grün-gelb	vert-jaune
OG	orange	orange	orange
VT	violet	violett	violet

	meaning of symbol	Bedeutung der Zeichen	interprétation
M	motor	Motor	moteur
S	switch	Schalter	interrupteur
C	condenser	Kondensator	condensateur
E	electronic unit	Elektronik Einheit	unité électronique
F	fuse	Sicherung	fusible
RS	reversing switch	Drehrichtungsschalter	commu. droite/gauche
CS	centrifugal switch	Fliehkraftschalter	déclencheur centrifuge
OL	overload cut-off	Überlastschuttschalter	déclencheur surcharge
LS	limit switch	Positionsendschalter	micro



**DC-1100A-3.....708639T ....3~400V, 50Hz**

**DC-1100CK-3.....708626CKT ....3~400V, 50Hz**

	colour of strands	Litzenfarben	couleur des cordons
BK	black	schwarz	noir
WH	white	weiß	blanc
BU	blue	blau	bleu
YE	yellow	gelb	jaune
RD	red	rot	rouge
BN	brown	braun	brun
GY	grey	grau	gris
GNYE	green-yellow	grün-gelb	vert-jaune
OG	orange	orange	orange
VT	violet	violett	violet

	meaning of symbol	Bedeutung der Zeichen	interprétation
M	motor	Motor	moteur
S	switch	Schalter	interrupteur
C	condenser	Kondensator	condensateur
E	electronic unit	Elektronik Einheit	unité électronique
F	fuse	Sicherung	fusible
RS	reversing switch	Drehrichtungsschalter	commu. droite/gauche
CS	centrifugal switch	Fliehkraftschalter	déclencheur centrifuge
OL	overload cut-off	Überlastschuttschalter	déclencheur surcharge
LS	limit switch	Positionsendschalter	micro

400V / 3~

