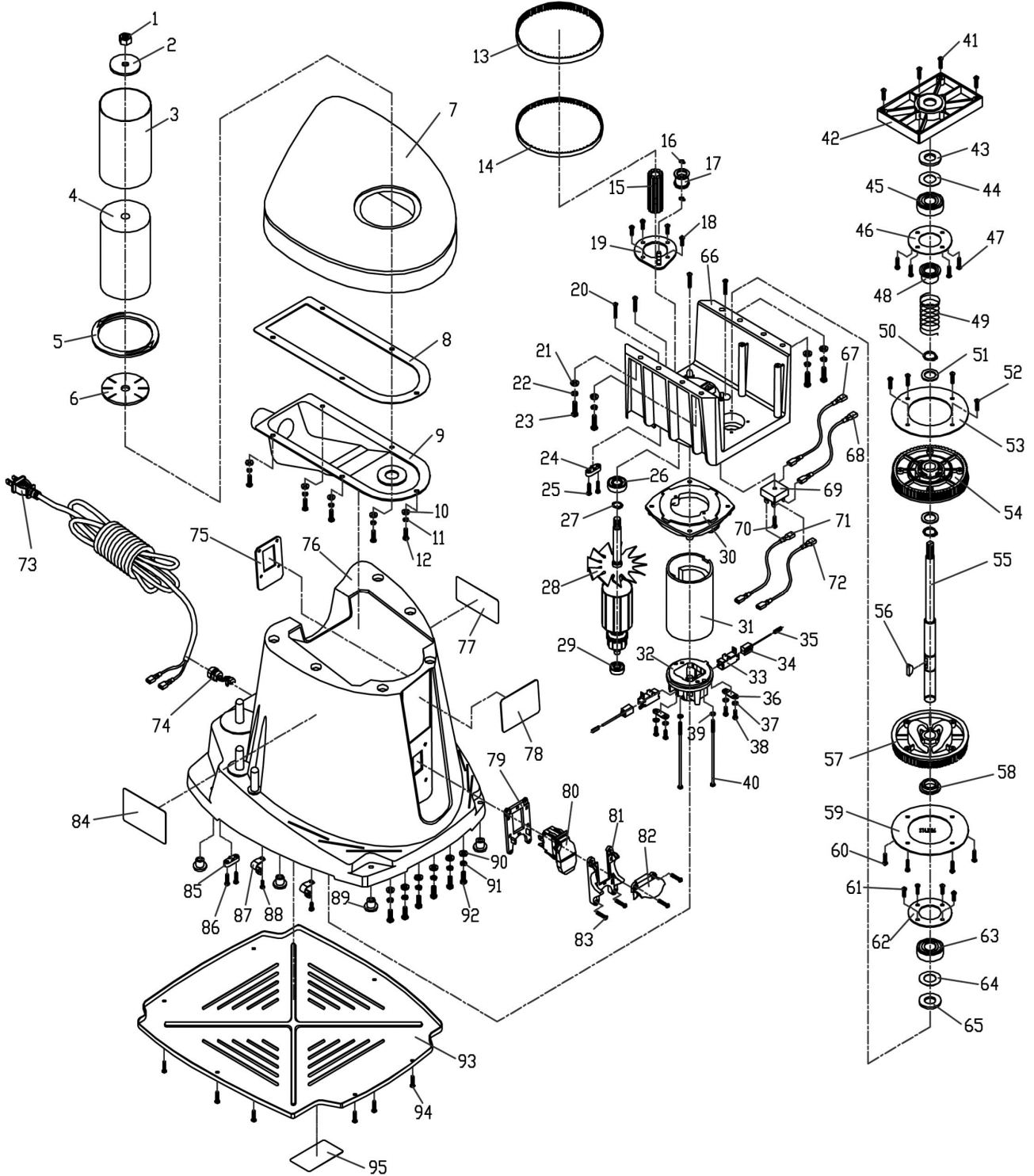




TSPS450 - Oscillating Spindle Sander





TSPS450 - Oscillating Spindle Sander

No.	Descriptions	Qty.
1	Hex nut 10mm	1
2	Upper spindle washer	1
3	Sander sleeve	1
4	Rubber spindle	1
5	Throat plate	1
6	Lower spindle washer	1
7	Cast iron table	1
8	Dust washer	1
9	Dust cover	1
10	Washer $\varnothing 5$	5
11	Spring washer $\varnothing 5$	5
12	Screw 5x12	5
13	Belt	1
14	Belt II	1
15	Belt wheel	1
16	Spring washer	2
17	Tension roller assembly	1
18	Screw 4.2x13	4
19	Orientation plate assembly	1
20	Screw 4.2x22	4
21	Washer $\varnothing 6$	4
22	Spring washer $\varnothing 6$	4
23	Screw 6x16	4
24	Cord clamp	1
25	Screw 4.2x15	2
26	Bearing 6001zz	1
27	Spring washer	1
28	Armature assembly	1
29	Bearing 608zz	1
30	Connection plate	1
31	Field assembly	1
32	Rear cover	1
	rush holder	2
34	Carbon brush	2
35	Brush spring	2
36	Cord clamp	2
37	Washer $\varnothing 4$	4
38	Screw 4.2x13	4
39	Washer $\varnothing 4$	2



TSPS450 - Oscillating Spindle Sander

No.	Descriptions	Qty.
40	Screw 4.2x110	2
41	Screw 4.2x22	4
42	Bearing cover	1
43	Felt	1
44	Rubber washer	1
45	Bearing 6203zz	1
46	Bearing support	1
47	Screw 4.2x15	4
48	Bearing sleeve	1
49	Spring	1
50	Spring washer	2
51	Spindle washer	2
52	Screw 4.2x13	4
53	Wheel plate	1
54	Wheel (I)	1
55	Spindle	1
56	Pin	1
57	Wheel (II)	1
58	Bearing sleeve	1
59	Wheel plate	1
60	Screw 4.2x13	4
61	Screw 4.2x13	4
62	Bearing support	1
63	Bearing 6203zz	1
64	Rubble washer	1
65	Felt	1
66	Wheel support	1
67	Wire assembly (I)	1
68	Wire assembly (II)	1
69	Rectifier	1
70	Screw 4.2x19	1
71	Wire assembly (III)	1
72	Wire assembly (IV)	1
73	Cord	1
74	Cord clamp	1
75	Switch orientation plate	1
76	Housing base	1
78	Logo label	1



TSPS450 - Oscillating Spindle Sander

No.	Descriptions	Qty.
70	Switch orientation (I)	1
71	Switch	1
81	Switch orientation (II)	1
82	Switch assistant orientation	1
83	Screw 4x16	4
84	Warning label (I)	1
85	Cord clamp	1
86	Screw 4.2x15	2
87	Thread	2
88	Screw 4.2x10	2
89	Rubble foot	4
90	Washer ø6	6
91	Spring washer ø6	6
92	Screw 6x16	6
93	Bottom plate	1
94	Screw 4.2x13	6
95	Warning label (II)	1