



JWBS-10

Band Saw

10000861M.....230V 50Hz

PARTS LIST

JPW (Tool) AG

Tämperlistrasse 5
CH-8117 Fällanden
Switzerland

Phone +41 44 806 47 48

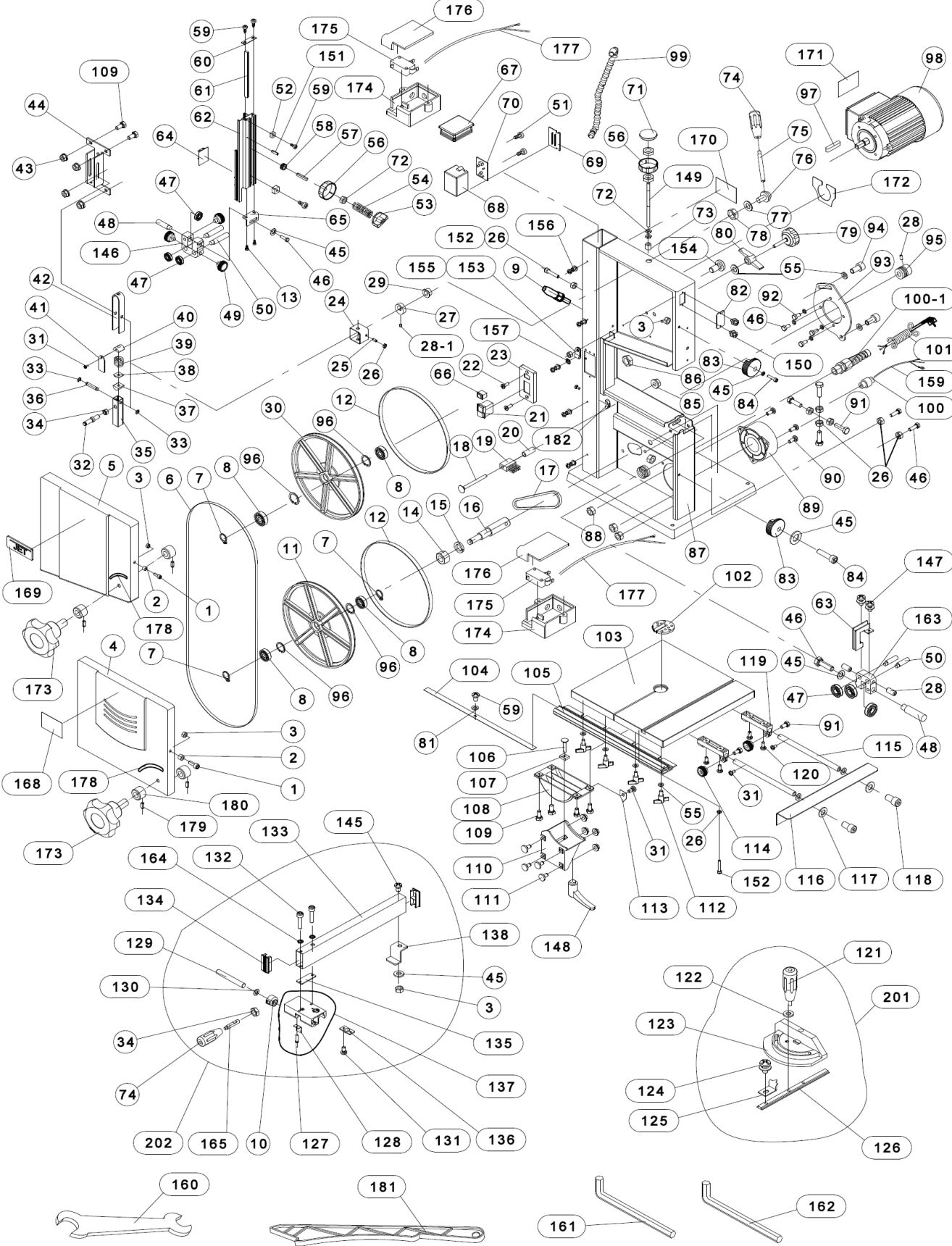
Fax +41 44 806 47 58

www.jettools.com

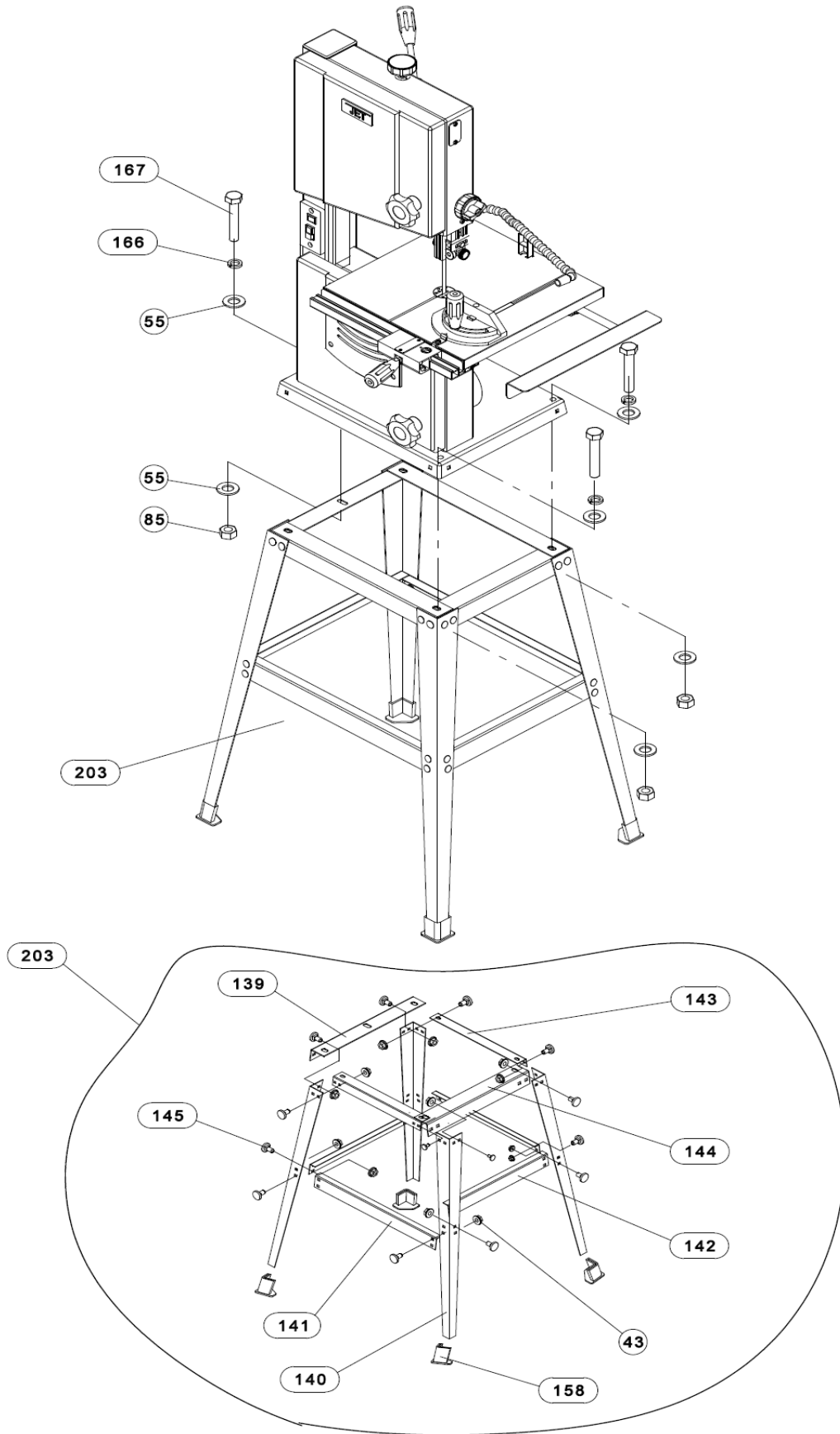


P-10000861M 2016-05

Exploded View for JWBS-10 Band Saw



Exploded View for JWBS-10 Band Saw



Parts List for JWBS-10 Band Saw

Index No.	Part No.	Description	Size	Qty
1	TS-1503041	Socket Head Cap Screw	M6x16	2
2	JWB10-002	Spacer		2
3	TS-1541021	Nylon Insert Lock Nut	M6	5
4	JWBS10-004E	Lower Door		1
5	JWBS10-005E	Upper Door		1
6	JWB10-006	Blade	1712x9.5x0.35, 6TPI	1
7	JWB10-007	Retaining Ring	11	3
8	BB-6001ZZ	Ball Bearing	6001RS	4
9	JWB10-009	Cord Bush		3
10	JWB10-010	Eccentric shaft		1
11	JWB10-011	Lower Wheel		1
12	JWB10-012	Tire		2
13	JWB10-013	Self-Tapping Screw	ST3.5x12	2
14	JWB10-014	Hex. Nut	M14x1.5	1
15	JWB10-015	Retaining Ring	14	1
16	JWB10-016	Lower Wheel Shaft		1
17	JWB10-017	Belt	4PJ337	1
18	JWB10-018	Carriage Bolt	M8x70	1
19	JWB10-019	Brush		1
20	JWB10-020	Spacer Bushing		1
21	JWBS10-021E	Switch	KJD20-2	1
22	TS-1512021	Socket Head Flat Screw	M4x12	2
23	JWBS10-023E	Switch Plate		1
24	JWB10-024	Square Housing		1
25	TS-1523041	Socket Set Screw	M6x12	1
26	TS-1540041	Hex Nut	M6	9
27	JWB10-027	Eccentric Block		1
28	TS-1523031	Socket Set Screw	M6x10	4
28-1	JWB10-28-1	Socket Set Screw	M6x6	1
29	JWB10-029	Sleeve		1
30	JWB10-030	Upper Wheel		1
31	TS-2284082	Pan Head Machine Screw	M4x8	4
32	JWB10-032	Upper Wheel Shaft		1
33	JWB10-033	E-Clip	6	2
34	TS-2311101	Hex Nut	M10	2
35	JWB10-035	Upper Wheel Axis Seat		1
36	JWB10-036	Shaft		1
37	JWB10-037	Nut		1
38	JWB10-038	Tension Scale Pointer		1
39	JWB10-039	Spring		1
40	JWB10-040	Semi-Sphere Segment		1
41	JWB10-041	Tension Scale		1
42	JWB10-042	U-Bracket		1
43	JWB10-043	Hex Flange Nut	M6	40
44	JWB10-044	Guide Plate		1
45	TS-1550041	Washer	6	5
46	TS-1482021	Hex Cap Screw	M6x12	8
47	JWB10-047	Ball Bearing	627Z	6
48	JWB10-048	Bearing Shaft		2
49	JWB10-049	Lock Knob		3
50	JWB10-050	Bearing Shaft		4
51	JWB10-051	Self-Tapping Screw	ST4.2x13	2
52	JWB10-052	Guide Block		2
53	JWB10-053	Locking Knob		1
54	JWB10-054	Spring		1
55	TS-1550061	Flat Washer	8	6
56	JWB10-056	Knob		1
57	JWB10-057	Shaft		1
58	JWB10-058	Gear		1
59	JWB10-059	Self-Tapping Screw	ST3.5x10	4

Index No.	Part No.	Description	Size	Qty
60	JWB10-060	Blade Guard Cover		1
61	JWB10-061	Rack		1
62	JWB10-062	Upper Blade Guard		1
63	JWB10-063	Lower Blade Guard		1
64	JWB10-064	Sliding Plate		1
65	JWB10-065	Guide Seat		1
66	JWB10-066	LED Lamp Switch		1
67	JWB10-067	Plug (Cover)		1
68	JWB10-068	Voltage Adapter		1
69	JWB10-069	Voltage Adapter Cover		1
70	JWBS10-070E	PCB	230V	1
71	JWB10-071	Knob Cover		1
72	JWB10-072	Thin Hex. Nut	M8	5
73	JWB10-073	Tension Sleeve		1
74	JWB10-074	Handle Grip		1
75	JWB10-075	Handle		1
76	JWB10-076	Hub		1
77	JWB10-077	Washer		1
78	JWB10-078	Thin Hex. Nut	M20x1.5	1
79	JWB10-079	Knob		1
80	JWB10-080	Wing Nut		1
81	TS-1550021	Washer	4	1
82	JWB10-082	Blade Tracking Window		1
83	JWB10-083	Door Lock Knob		2
84	TS-1503061	Socket Head Cap Screw	M6x25	2
85	JWB10-085	Hex. Nut	M8	4
86	JWB10-086	Hex. Nut	G1/4	1
87	JWBS10-087E	Saw Body		1
88	TS-1540031	Hex. Nut	M5	3
89	JWB10-089	Dust Chute		1
90	TS-1533042	Pan Head Machine Screw	M5x12	3
91	TS-1482041	Hex Cap Screw	M6x20	6
92	TS-2361061	Spring Washer	6	4
93	JWB10-093	Motor Mount		1
94	TS-1504031	Socket Head Cap Screw	M8x16	2
95	JWBS10-095E	Motor Pulley		1
96	JWB10-096	Retaining Ring	C-28	4
97	JWB10-097	Key	A5x25	1
98	JWBS10-098EM	Motor Assembly	230V, P1=600W 1Ph	1
	JWB10-098MF	Motor Fan (not shown)		1
	JWBS10-098RCE	Running Capacitor (not shown)	10µF, 450V	1
	JWBS10-098JB	Junction Box (not shown)		1
	JWB10-098JBC	Junction Box Cover (not shown)		1
	JWB10-098MC	Motor Cover (not shown)		1
99	JWB10-099	LED Lamp Assembly		1
100-1	JWBS10-100E	Strain Relief		1
100	JWB10-100	Strain Relief		1
101	JWBS10-101E	Power Cord		1
102	JWB10-102	Table Insert		1
103	JWBS10-103E	Table		1
104	JWBS10-104E	Table Scale		1
105	JWB10-105	Fence Guide Rail		1
106	JWB10-106	Carriage Bolt	M8x30	1
107	JWB10-107	Slide Block		1
108	JWB10-108	Trunnion		1
109	JWB10-109	Hex Cap Screw	M6x12	8
110	JWB10-110	Support Bracket		1
111	JWB10-111	Carriage Bolt	M6x16	4
112	JWB10-112	Wing Screw		4
113	JWB10-113	Pointer		4
114	JWB10-114	Lock Knob		2
115	JWB10-115	Extension Rod		2

Index No.	Part No.	Description	Size	Qty
116	JWB10-116	Extension Wing		1
117	TS-1550071	Flat Washer	10	4
118	TS-1505011	Socket Head Cap Screw	M10x16	2
119	JWB10-119	Extension Bracket		2
120	TS-1533032	Pan Head Machine Screw	M5x10	4
201	JWB10-201	Miter Gauge Assembly (#121Thru 126)		1
121	JWB10-121	Handle		1
122	TS-1550041	Flat Washer	6	1
123	JWB10-123	Miter Gauge		1
124	JWB10-124	Pan Head Screw Ass.	M5x8	1
125	JWB10-125	Pointer		1
126	JWB10-126	Sliding Guide		1
202	JWB10-202	Complete Fence Assembly (#127Thru 138,#3.#34#45,#145,#74#164)		1
127	JWB10-127	Self-Plugging Rivet	4x6	1
128	JWB10-128	Plate		1
129	JWB10-129	Shaft		1
130	JWB10-130	Washer		1
131	TS-1531012	Pan Head Machine Screw	M3x5	1
132	TS-1502021	Socket Head Cap Screw	M5x10	2
133	JWB10-133	Fence		1
134	JWB10-134	Block		2
135	JWB10-135	Plate		1
136	JWB10-136	Plate		1
137	JWB10-137	Fence Base Ass.		1
138	JWB10-138	Block		1
203	JWB10-203	Stand Assembly (#127Thru 138,#3.#34#45,#145,#74)		1
139	JWB10-139	Short Support Plate A		1
140	JWB10-140	Stand Leg A		4
141	JWB10-141	Long Support Plate A		2
142	JWB10-142	Long Support Plate B		2
143	JWB10-143	Short Support Plate C		2
144	JWB10-144	Short Support Plate B		1
145	JWB10-145	Carriage Bolt	M6x12	33
146	JWB10-146	Bearing Bracket A		1
147	JWB10-147	Philips Screw ASS.	M4x6	2
148	JWB10-148	Lock Handle		1
149	JWB10-149	Shaft		1
150	JWB10-150	Philips Screw ASS.	M4x6	2
151	JWB10-151	Pin	2.4x14	1
152	TS-1503081	Socket Head Cap Screw	M6x35	2
153	JWB10-153	Clamp		3
154	TS-1532032	Pan Head Machine Screw	M4x10	9
155	TS-1540021	Hex. Nut	M4	3
156	JWB10-156	Philips Screw ASS.	M4X8	6
157	JWB10-157	Tooth Washer	4	2
158	JWB10-158	Rubber Foot		4
159	JWBS10-159E	Cord		1
160	JWB10-160	Wrench		1
161	JWB10-161	Hex wrench S3	S3	1
162	JWB10-162	Hex wrench S6	S6	1
163	JWB10-163	Bearing Bracket B		1
164	JWB10-164	Tooth Washer	5	2
165	JWB10-165	Shaft		1
166	TS-2361081	Lock Washer	8	3
167	TS-2361081	Hex Cap Screw	M8x55	3
168	JWBS10-168E	Warning Label		1
169	JET-92	JET 3D Logo	92x38mm	1
170	JWBS10-170E	ID Label		1
171	JWBS10-171E	Motor Label		1
172	JWB10-172	Lock Label		2

Index No.	Part No.	Description	Size	Qty
173	JWBS10-173E	Lock Handle		2
174	JWBS10-174E	Limit Switch Box		2
175	JWBS10-175E	Limit Switch		2
176	JWBS10-176E	Limit Switch Cover		2
177	JWBS10-177E	Cord		2
178	JWBS10-178E	Lock Label for Door		1
179	JWBS10-179E	Set Screw	M4x8	4
180	JWBS10-180E	Sleeve		4
181	JWBS10-181E	Push Stick		1
182	JWBS10-182E	Strain Relief		1

Wiring Diagram for JWBS-10 Band Saw 10000861M..... ~ 230V, 50Hz

	colour of strands	Litzenfarben	couleur des cordons
BK	black	schwarz	noir
WH	white	weiß	blanc
BU	blue	blau	bleu
RD	red	rot	rouge
BN	brown	braun	brun
GY	grey	grau	gris
GNYE	green-yellow	grün-gelb	vert-jaune

	meaning of symbol	Bedeutung der Zeichen	interprétation
M	motor	Motor	moteur
S	switch	Schalter	interrupteur
C1	Condenser of running	Kondensator	condensateur
C2	Condenser of Starting	Kondensator	condensateur
n	centrifugal switch	Fliehkraftschalter	déclencheur centrifuge
OL	overload cut-off	Überlastschuttschalter	déclencheur surcharge
LS	limit switch	Positionsendschalter	micro
SB	E-stop	Not-Aus Taster	arret d'urgence

